

“ESTABLISH” YOUR STYLE WITH XT TABLES!

From today METALMOBIL's XT tables series become even wider, offering new possibilities of customizing with the articles **477 F** and **477 AF**. These table frames are distinguished by a **FLOOR-MOUNTED SUPPORT** and complete the XT line.

Application targets:

Fast Food Restaurants, Cafeterias,
Service Stations Cafés



XT 477 AF - design Metalmobil Concept

POINTS OF INTEREST:

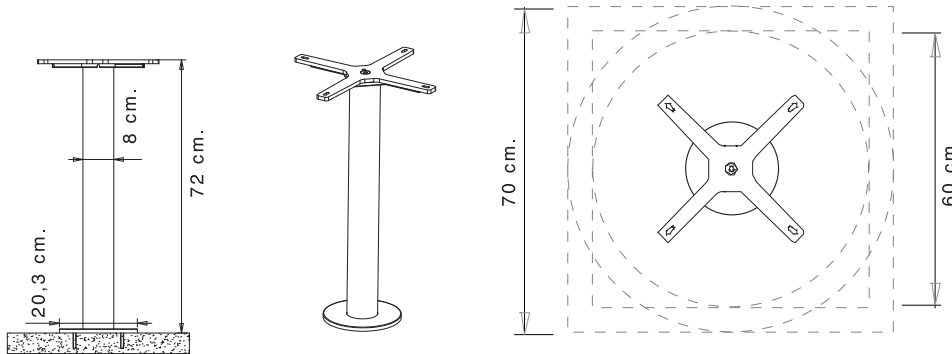
Tables fixed to the floor respond perfectly to the demands of: cleanliness, order and safety. They guarantee order, without the need to continuously reorganise the position of the tables. They facilitate cleaning procedures in high-traffic premises. They offer greater safety and security against vandalism in those public places that have a great mix of differing clientele (for example, service station cafés on motorways).

TAKE A LOOK AT
THE TECHNICAL SHEETS



XT design Metalmobil Concept

Art. 477 F



TECHNICAL DATA:

- The **XT 477 F** featured standard equipment:
- **Stainless steel** pressed plate base-cap (AISI 304 18/10)
 - **Stainless steel** tubular column (AISI 304 18/10)
 - **Cast-iron** cross for top fixing



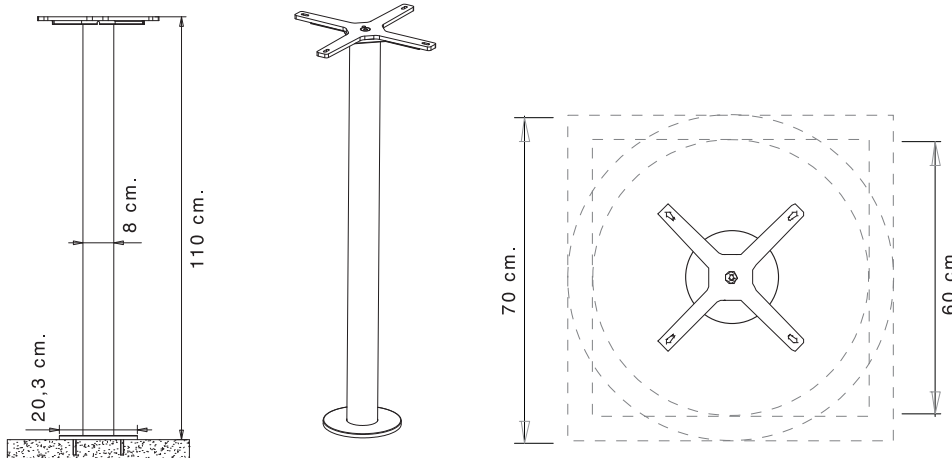
Art 477 F >

72 20,3 Ø 8 8,5 Kg 60x60 Ø 60
70x70 Ø 70

Base + Column finishes:
Satin Stainless steel
Gloss Stainless steel

Table tops finishes:
Stainless steel/Glass/Veneered
Laminate/Werzalit

Art. 477 AF



TECHNICAL DATA:

- The **XT 477 F** featured standard equipment:
- **Stainless steel** pressed plate base-cap (AISI 304 18/10)
 - **Stainless steel** tubular column (AISI 304 18/10)
 - **Cast-iron** cross for top fixing



Art 477 AF >

110 20,3 Ø 8 9,8 Kg 60x60 Ø 60
70x70 Ø 70

Base + Column finishes:
Satin Stainless steel
Gloss Stainless steel

Table tops finishes:
AStainless steel/ Glass / Veneer
Laminate /Werzalit